



CONTENTS

- 1 PetChatz® Stand
- 4 Screws & nuts
- 4 Rubber feet pads
- 1 Three-foot (3') USB cord

INSTRUCTIONS

- 1) Securely attach the PetChatz mounting bracket to the PetChatz Stand using three of the four screws & nuts provided.
Note: Take off the white cover to unscrew the mounting bracket if it is already attached to the PetChatz unit.
- 2) Attach the PetChatz unit to the mounting bracket using the three mounting bracket screws (included with your PetChatz).
- 3) Use the three-foot USB cord & original power adapter to plug your PetChatz unit in to an electrical outlet.

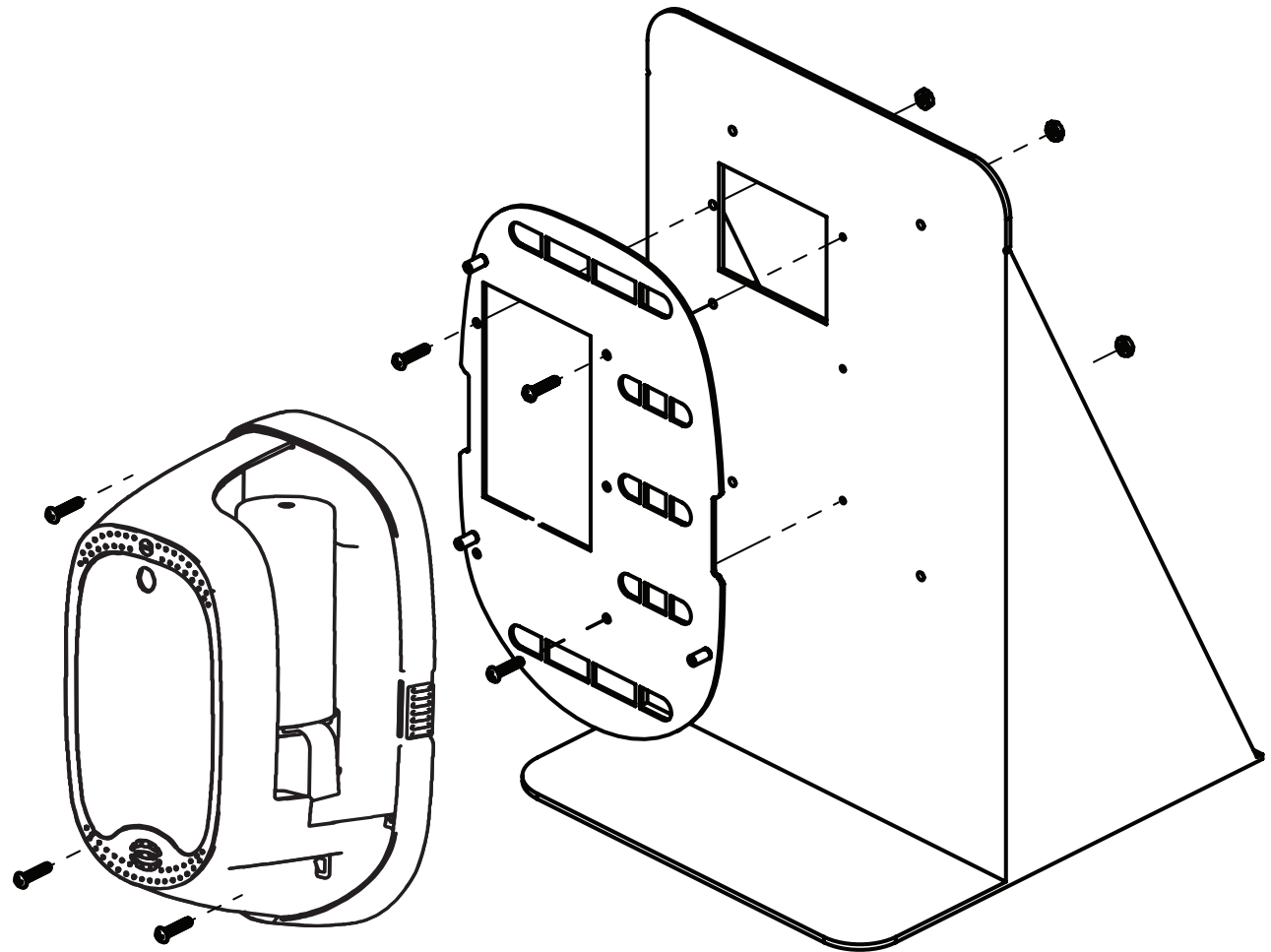
OPTIONAL

Attach the four rubber feet pads to the bottom of the PetChatz Stand.

NOTE

We recommend coiling any excess cord into the opening in the back of the PetChatz Stand.

Bracket Type: Small Outlet Opening





CONTENTS

- 1 PetChatz[®] Stand
- 4 Screws & nuts
- 4 Rubber feet pads
- 1 Three-foot (3') USB cord

INSTRUCTIONS

- 1) Securely attach the PetChatz mounting bracket to the PetChatz Stand using the four screws & nuts provided.
Note: Take off the white cover to unscrew the mounting bracket if it is already attached to the PetChatz unit.
- 2) Attach the PetChatz unit to the mounting bracket using the three mounting bracket screws (included with your PetChatz).
- 3) Use the three-foot USB cord & original power adapter to plug your PetChatz unit in to an electrical outlet.

OPTIONAL

Attach the four rubber feet pads to the bottom of the PetChatz Stand.

NOTE

We recommend coiling any excess cord into the opening in the back of the PetChatz Stand.

Bracket Type: Large Outlet Opening

